



## Gasket-Sert™ PSP Filter



### Description

The Gasket-Sert PSP filter is designed to protect major components of gas panels employed in semiconductor gas distribution systems.

- True in-line design and easy installation
- Alignment retainer for ease of installation
- Fits in place of standard ¼" VCR<sup>1</sup> or ¼" UJR compatible gasket
- Broad compatibility with process gases
- Low differential pressure
- All 316L stainless steel construction
- Dried with high purity nitrogen
- Cleanroom packaged
- No hold-up volume
- No particle contribution above background
- No housing required
- Retrofit of existing panels without reconfiguring of systems
- Zero displacement
- Protection for regulators and MFCs

### Specifications

#### Materials

- Medium and gasket: 316L stainless steel

#### Removal Rating

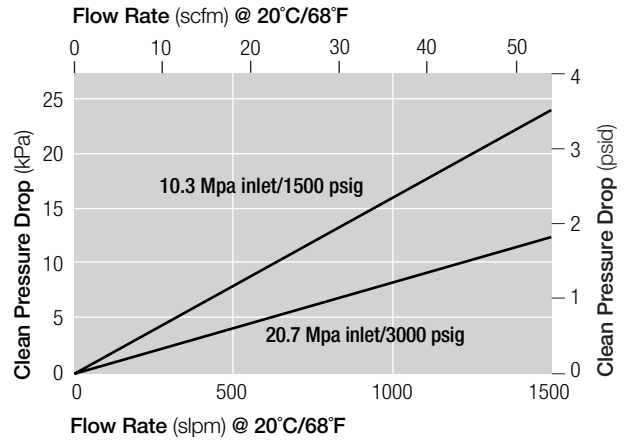
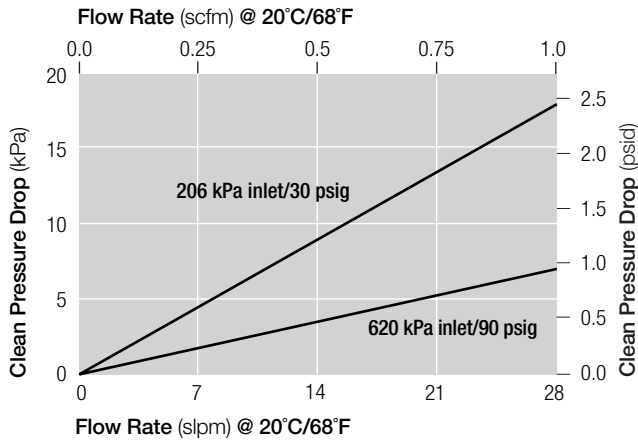
- $\geq 0.4 \mu\text{m}$  at 99.9% efficiency

### Operating Conditions

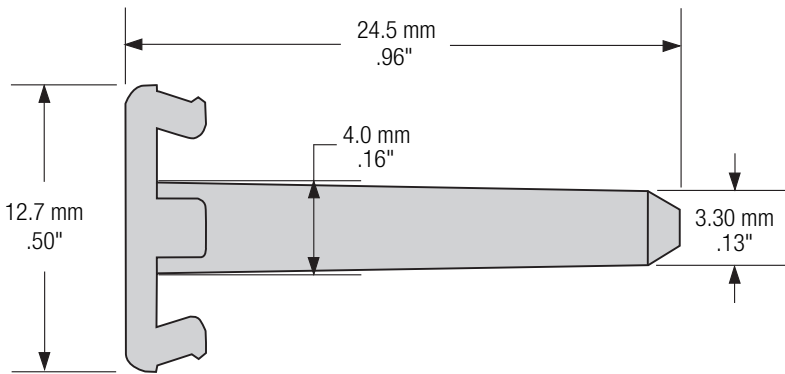
- Recommended flow range:  
0-28 slpm / 0-1 scfm
- Maximum operating temperature:  
Inert gases: 300°C / 572°F  
Anhydrous corrosive gases:  
30°C / 86°F
- Maximum differential pressure:  
Inside out:  
690 kPa @ 20°C / 100 psid @ 68°F  
Outside in:  
1380 kPa @ 20°C / 200 psid @ 68°F

<sup>1</sup> VCR is a trademark of Swagelok Co.

## Pressure Drop vs. Gas Flow Rate



## Dimensions



## Part Numbers/Ordering Information

| Part Number | Material of Construction | Fitting Type     |
|-------------|--------------------------|------------------|
| CNF1104USG4 | All 316L stainless steel | ¼" VCR or ¼" UJR |

Unit conversion: 1 bar = 100 kilopascals



## Microelectronics

25 Harbor Park Drive  
Port Washington, New York 11050 USA

1.800.360.7255 toll free (Only in US)  
1.516.484.5400 phone  
1.516.625.3610 fax

Filtration. Separation. Solution.<sup>SM</sup>

Visit us on the Web at [www.pall.com/micro](http://www.pall.com/micro)

Pall Corporation has offices and plants throughout the world in locations including: Argentina, Australia, Austria, Belgium, Brazil, Canada, China, France, Germany, Hong Kong, India, Indonesia, Ireland, Italy, Japan, Korea, Malaysia, Mexico, the Netherlands, New Zealand, Norway, Poland, Puerto Rico, Russia, Singapore, South Africa, Spain, Sweden, Switzerland, Taiwan, Thailand, United Kingdom, United States, and Venezuela. Distributors are located in all major industrial areas of the world.

© Copyright 2006, Pall Corporation. Pall, PALL, and Gasket-Sert are trademarks of Pall Corporation. ® Indicates a Pall trademark registered in the USA. Filtration. Separation. Solution.<sup>SM</sup> is a service mark of Pall Corporation.